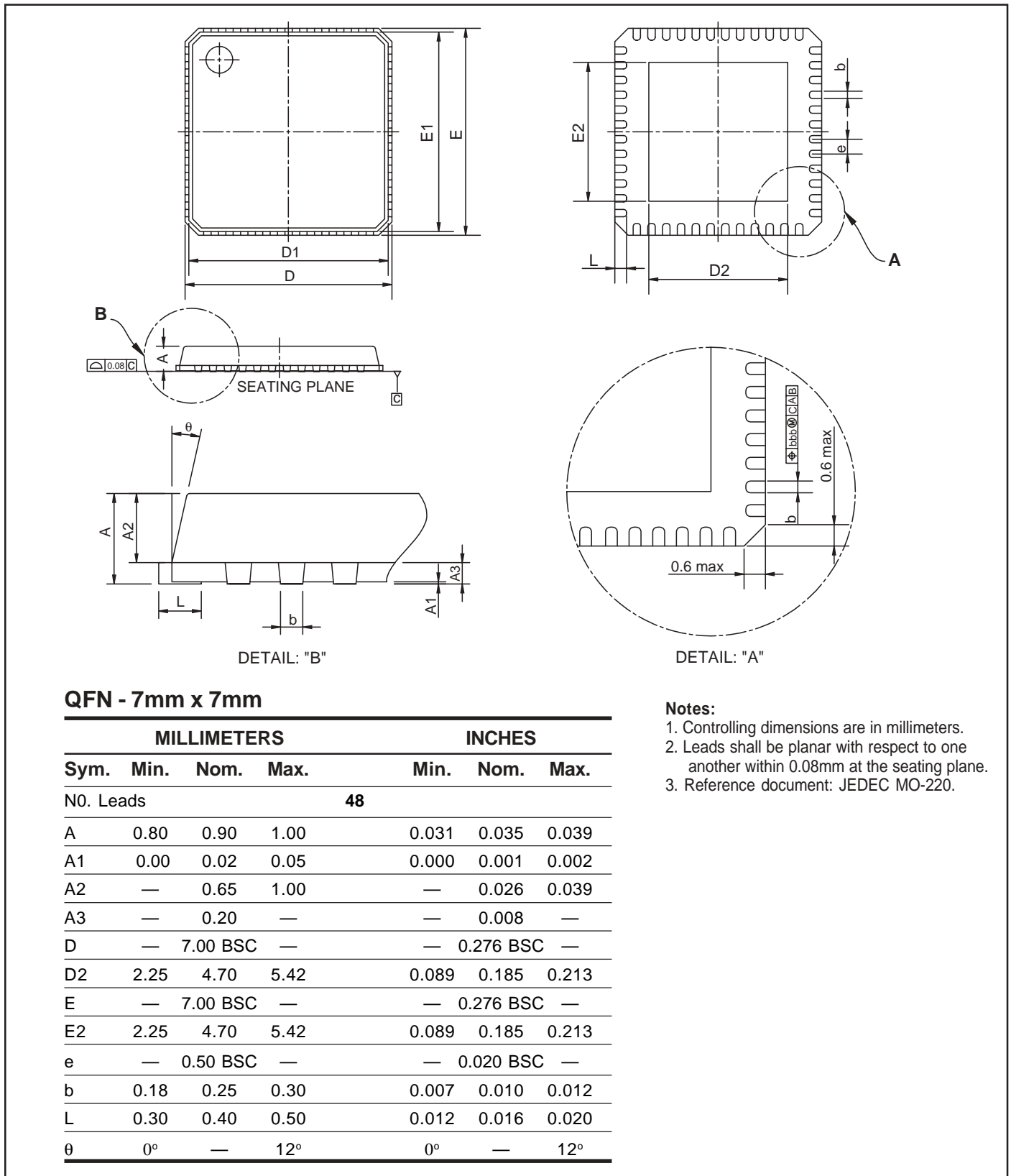


# PACKAGING INFORMATION

Plastic QFN (Quad Flat No-lead)  
 Package Code: QF(48-pin)



## QFN - 7mm x 7mm

Sym.	MILLIMETERS			INCHES		
	Min.	Nom.	Max.	Min.	Nom.	Max.
N0. Leads	<b>48</b>					
A	0.80	0.90	1.00	0.031	0.035	0.039
A1	0.00	0.02	0.05	0.000	0.001	0.002
A2	—	0.65	1.00	—	0.026	0.039
A3	—	0.20	—	—	0.008	—
D	—	7.00 BSC	—	—	0.276 BSC	—
D2	2.25	4.70	5.42	0.089	0.185	0.213
E	—	7.00 BSC	—	—	0.276 BSC	—
E2	2.25	4.70	5.42	0.089	0.185	0.213
e	—	0.50 BSC	—	—	0.020 BSC	—
b	0.18	0.25	0.30	0.007	0.010	0.012
L	0.30	0.40	0.50	0.012	0.016	0.020
θ	0°	—	12°	0°	—	12°

### Notes:

1. Controlling dimensions are in millimeters.
2. Leads shall be planar with respect to one another within 0.08mm at the seating plane.
3. Reference document: JEDEC MO-220.

Copyright © 2003 Integrated Silicon Solution, Inc. All rights reserved. ISSI reserves the right to make changes to this specification and its products at any time without notice. ISSI assumes no liability arising out of the application or use of any information, products or services described herein. Customers are advised to obtain the latest version of this device specification before relying on any published information and before placing orders for products.