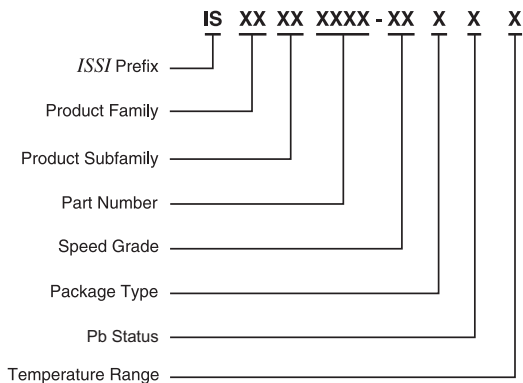


ORDERING INFORMATION FOR ISSI DEVICES



Product Family:

- 1X** = Bluetooth™
- 2X** = Secure Serial EEPROM/
Smart Card IC's
- 4X** = DRAM
- 5X** = Search Processor
- 6X** = SRAM
- 9X** = Microwire EEPROM

Temperature Range:

- Blank** = Commercial
(0°C to +70°C)
- I** = Industrial
(-40°C to +85°C)
- A** = Automotive
(0°C to +70°C)
- A1** = Automotive
(-40°C to +85°C)
- A2** = Automotive
(-40°C to +105°C)
- A3** = Automotive
(-40°C to +125°C)

Pb Status:

- Blank** = Normal
- L** = Pb Free

Package Type:

- A** = mBGA
- B** = PBGA or mBGA
- D** = DFN
- F** = uBGA
- G** = JEDEC SOIC (Rotated)
- GR** = JEDEC SOIC
- H** = STSOP
- J** = 300-mil Plastic SOJ
- K** = 400-mil Plastic SOJ
- LQ** = LQFP
- M** = μ BGA (6x8mm,
7.2x8.7mm or
9mm x 11mm)
- P** = 300-mil Plastic DIP (8-pin)
- PL** = PLCC
- PQ** = PQFP
- Q** = 450-mil SOP
- QF** = QFN
- S** = 120-mil MSOP
- T** = TSOP
- TQ** = TQFP
- U** = 330-mil Plastic SOP
- V** = TSPOP
- X** = Unpackaged Die
- Z** = TSSOP